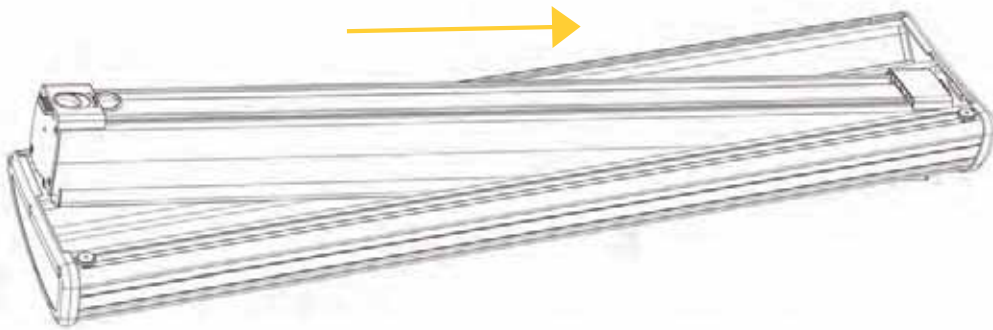
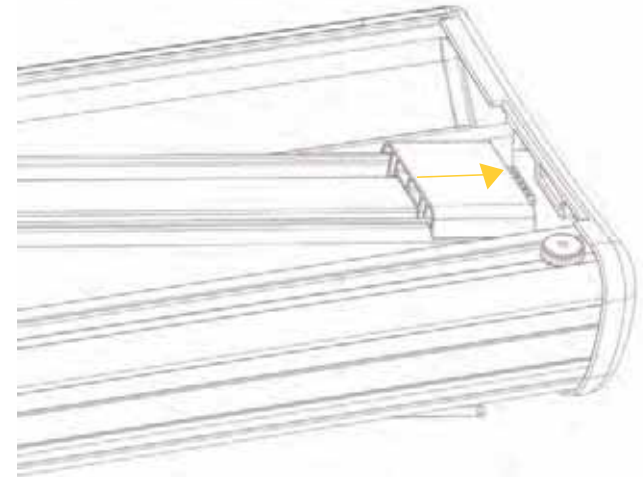


INSERTING THE CASSETTE

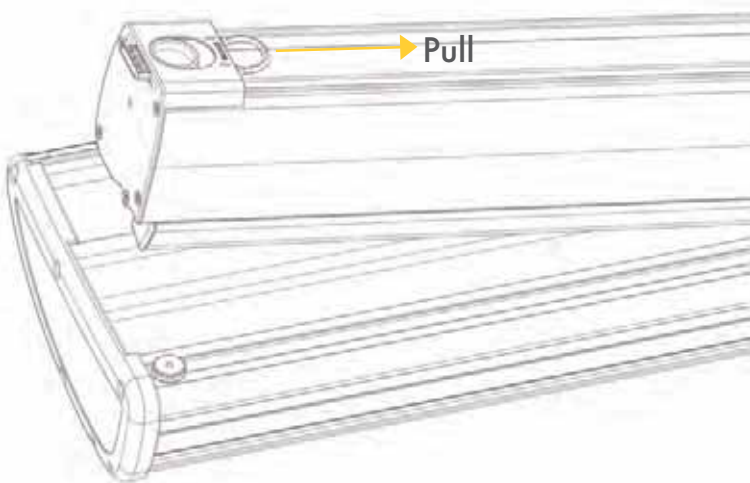
1



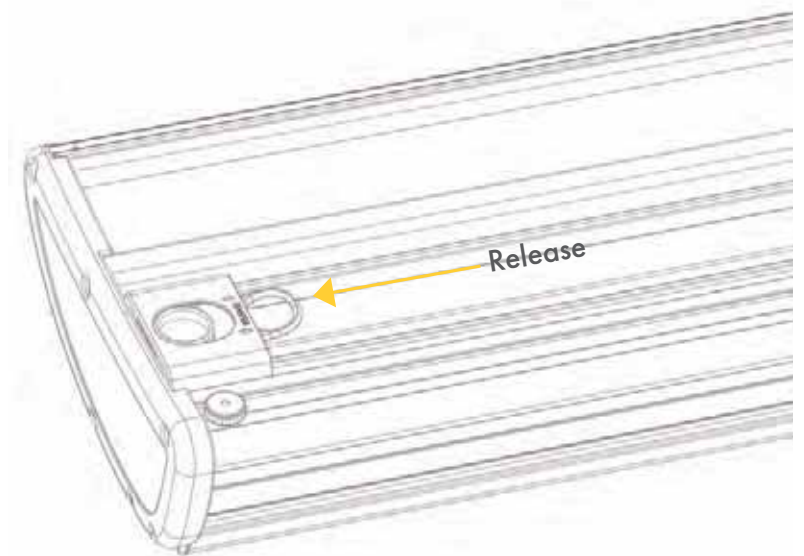
2



3



4



ASSEMBLING THE BANNER

- 5 Assemble the telescopic pole and place the end without any mouldings into the central hole on the base. Ensure the pole is secure and sitting in its proper location. It should appear near vertical.

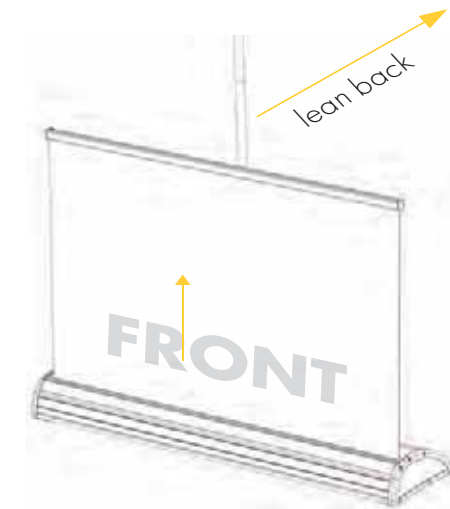


- 7 Once the rail is securely attached to the top of the pole, position the banner in the location of your choice and it's ready for use. If using a hybrid pole, adjust the height to maximise your graphic completely.



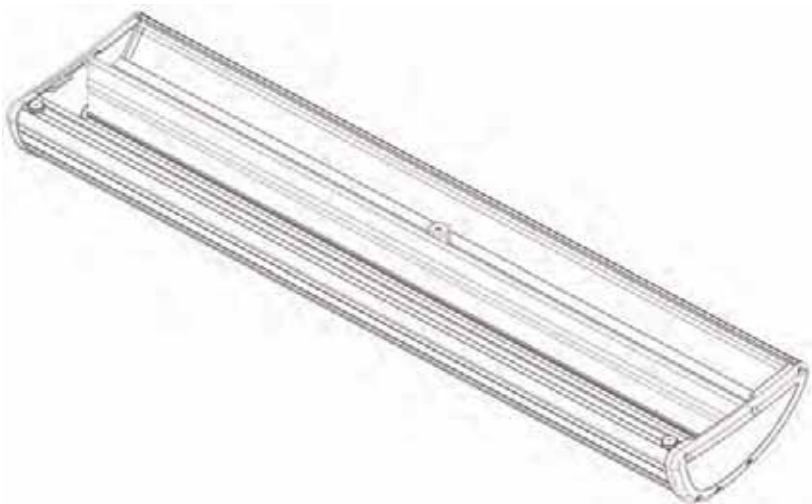
- 6 Take a firm grip of the rail at the top of the graphic, lean the banner backwards until the rail and pole are at a workable height.

When the graphic is level with the top of the pole, partially rotate the rail and fit the rear of the rail to the top of the pole moulding.

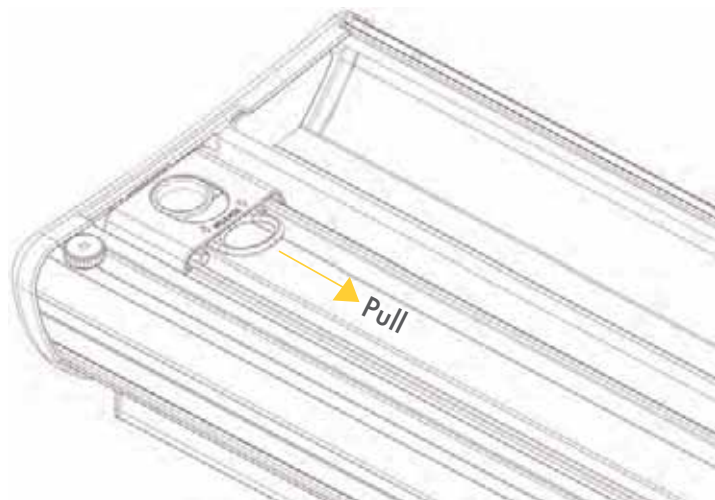


REMOVING THE CASSETTE

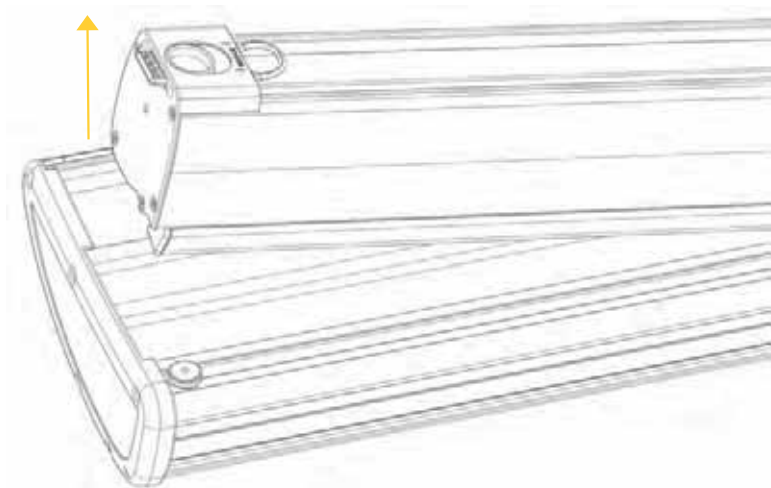
8



9



10



11

